



The “reflective solution” INF Concept



SALE AND INSTALLATION

Stretched ceiling • T|Karra suspended ceilings
Acoustic products • Custom lighting

2022

TABLE OF CONTENTS

Who we are?	5
Our services	6
Stretched ceiling	9
TKarra suspended ceiling	27
Questions and quote requests	39



WHO WE ARE ?



Whether it is for renovations or a new construction, INF Concept is a must need partner for any of your residential or commercial projects.

Specializing in the sale and installation of stretched and reflective suspended ceilings, INF Concept offers infinite possibilities to give a unique look to all your projects.

INF Concept's well-thought out solution:

- Exceptional service for the installation of stretched and reflective suspended ceilings
- Properly executed work in a quick and meticulous fashion
- Outstanding service
- Competitive prices
- Exceptional after-sale service
- Support for the duration of the project
- Short and efficient response to requests
- Large variety of products
- A wide range of project possibilities
- More than 8 years experience in construction
- Leader in the Montreal and Laurentian region



Our services

Specialities:

- Sale and installation of stretched ceilings
- Sale and installation of TKarra suspended ceilings
- Support and advice for your projects
- Quality references regardless of trade

Additional services:

- Sale and installation of acoustic products
- Sale of custom lighting





STRETCHED CEILING

Stretched ceilings surpass traditional techniques, whether it is in terms of finishes, colour rendering, or the integration of accessories such as, lighting, ventilation vents, sprinklers etc.

Having quasi-limitless combinations of design options our concept offers a wide range of possibilities.

Treat yourself to the brand new INF Concept ceiling collection, “The best quality in the world”, at the most affordable price.

- Certified performance and economical
- Comes in over 100 colors and 7 textures
- Exceptional lightweight quality PVC
- Infinite selection of prints, profiles and textures at an unbeatable price
- Durable and environmentally friendly with zero carbon emissions
- Possesses vapor barrier properties (ideal for bathrooms or indoor pools)
- Enhanced protection against water damage
- Antistatic product
- After the installation of a stretched ceiling, there is the option of modifying or adding any accessory
- ULC certified
- 10-year warranty



Satisfaction guaranteed:

- Perfectly sculpted and stylized outstanding finish
- Enlargement effect
- Very short installation and delivery time
- No need to store your furniture
- Acoustic and thermal comfort
- Multitude of customized printing options
- Possibility of 3D printing
- Anti-allergenic product
- Limitless special effects due to backlit ceilings

#1 distributor in Canada

Having executed **more than 5000 installations** so far, INF Concept is proud to be a member of one of the biggest distribution centers in Canada, which places us among the biggest network of certified stretched ceiling installers in Canada.



The superior quality of our products combined with the size of the network allows us to offer our clients **the best quality stretched ceilings at the most affordable price!**





What is a stretched ceiling?

Stretched ceiling is comprised of 3 main components:

- the profiles
- the harpoon
- the PVC membrane



You must install profiles around the perimeter of the room to then be able to hang the harpoon which is welded onto the PVC membrane. The distance between the original ceiling and the PVC membrane after installation will be approximately an inch.

Installation process:

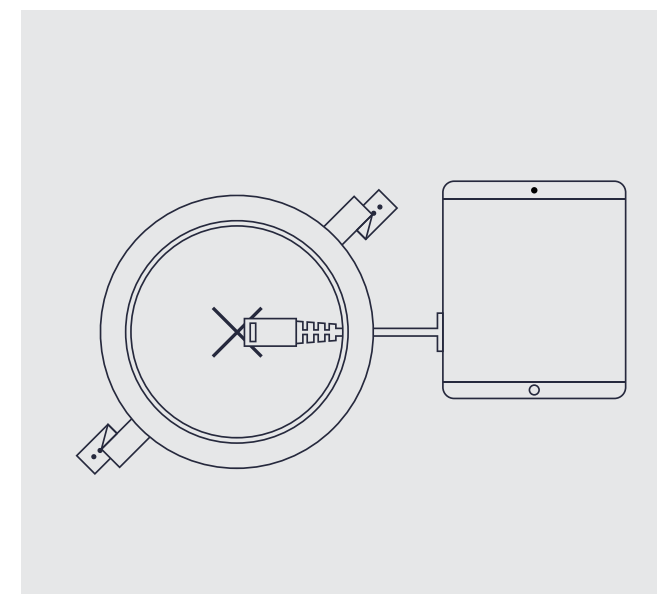
1. Measurements of the room are taken
2. Installation of profiles around the perimeter of the room
3. Preparation and installation of the adjustable system
4. Heating of the room with a heater to around 45°C to be able to stretch and manipulate the canvas
5. Hang the canvas to the profiles using “harpoon” that have been welded to the membrane
6. Once well installed the ceiling will be stretched thus creating a smooth and flawless surface

Membrane:

- Comes in more than 120 colors
- Comes in many textures: lacquered, mat, satin, translucent, printed, backlit, acoustic, and 3D
- Microperforated (acoustic)

Accessories and insertions:

- Wide variety of profile choices
- Recessed lighting possibilities
- Ventilation vents
- Sprinkler system
- Smoke detector
- Speakers
- Fiber optics
- LED lighting system



Covering of furniture

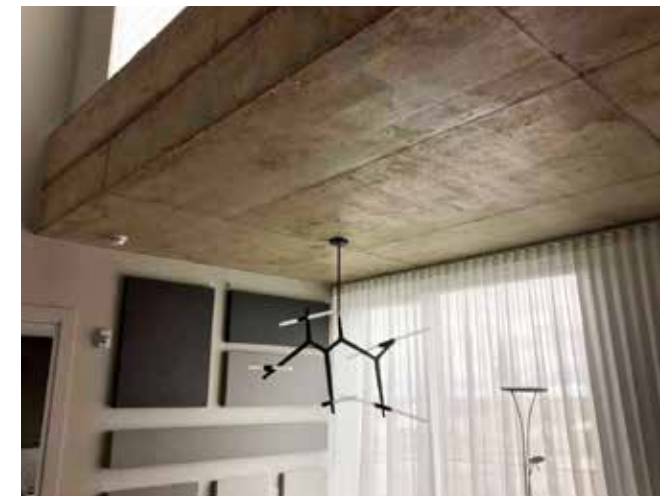
Cleanliness and protection of the client's space is important to us. Therefore, whenever we install on a concrete surface, we offer our clients the option of covering their furniture.



INF Concept's quality teamwork and professionalism are the main reasons for its success.

Stretched ceiling is the quickest and most affordable way to cover a concrete or stucco finished ceiling.

Examples of concrete ceiling finishes



Examples of popcorn "stucco" finished ceilings



Custom lights and suspensions:

With the versatility of the stretched canvas, it can be used as a lighting diffuser or acoustic accessory. The INF Concept team offers you a custom service for each of your projects by manufacturing any size and form of support serving as a suspended acoustic structure or a lighting and printed frame.



INF LED Lighting

A unique and affordable solution to integrate LED lighting to a stretched ceiling. This LED lighting has a width of 30mm which allows for the creation of continuous reflections. Useful for perimeter or in-ceiling lighting, this LED lighting system brings the result of your project at a different level in term of quality and look.



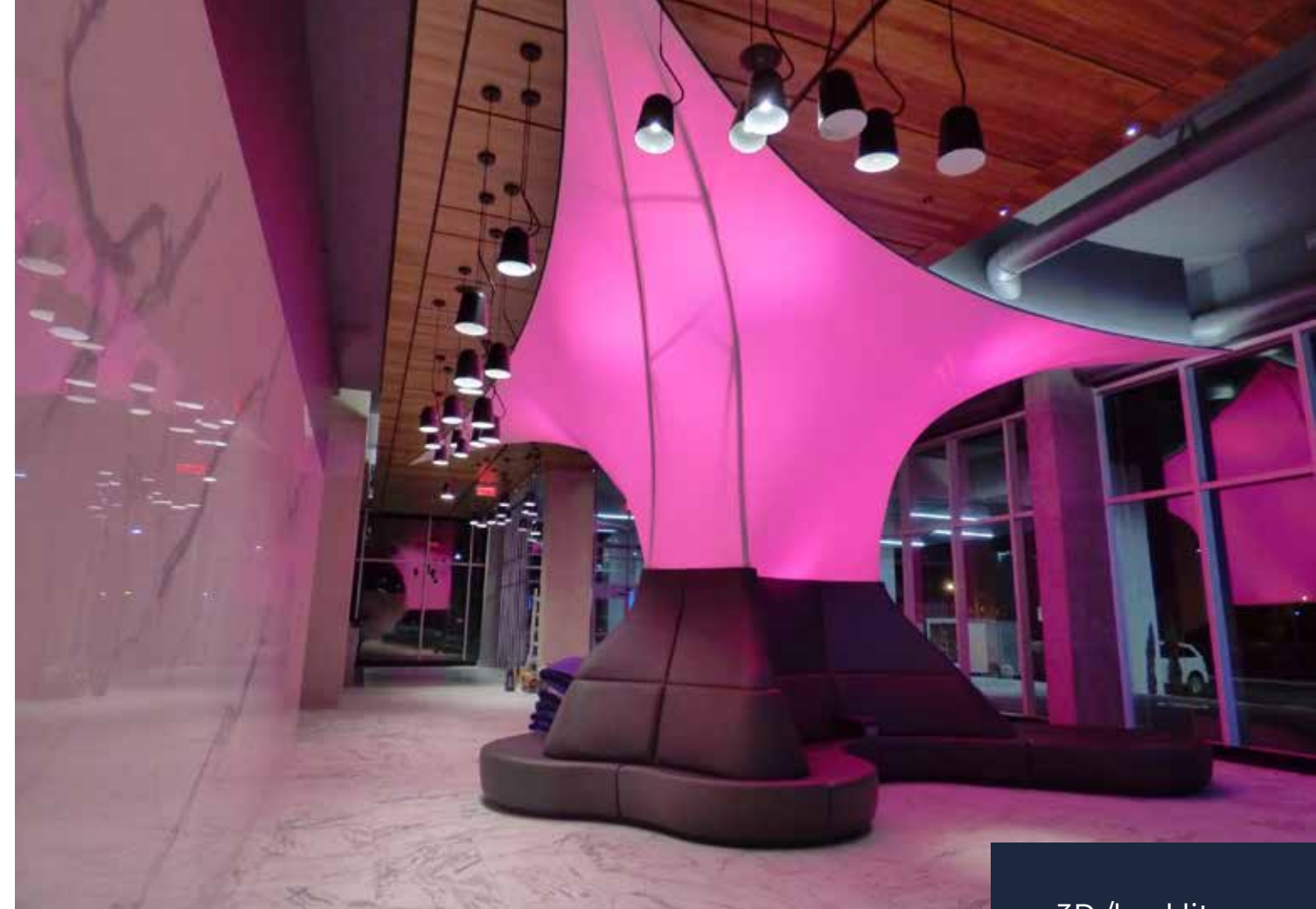
Varying degrees Kelvin are available such as:
2700k (Warm white)
3000k (Warm white)
4000k (Cool white)

It is possible to use LED RGB modules to give you the option of changing the colors with your remote.

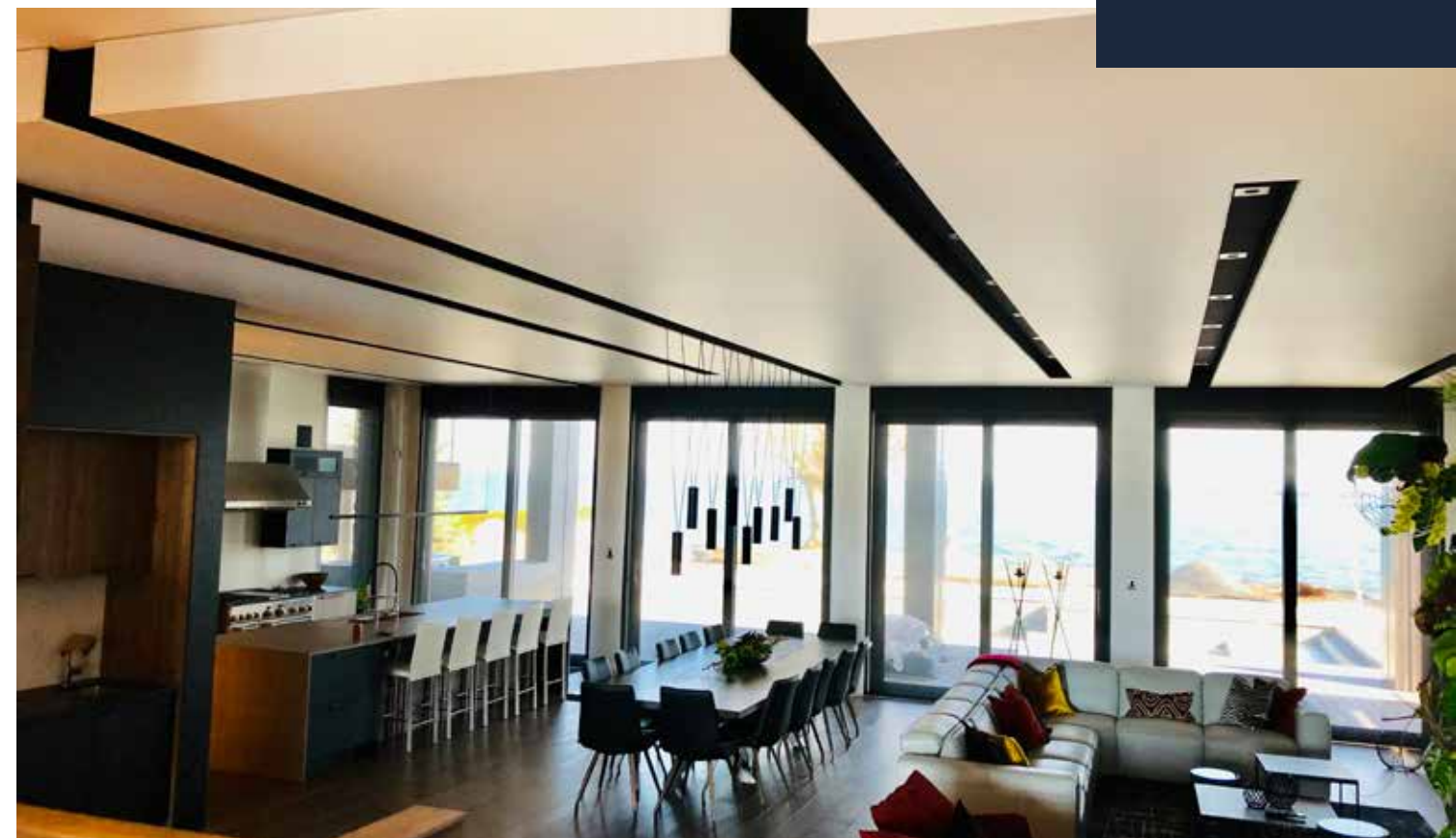
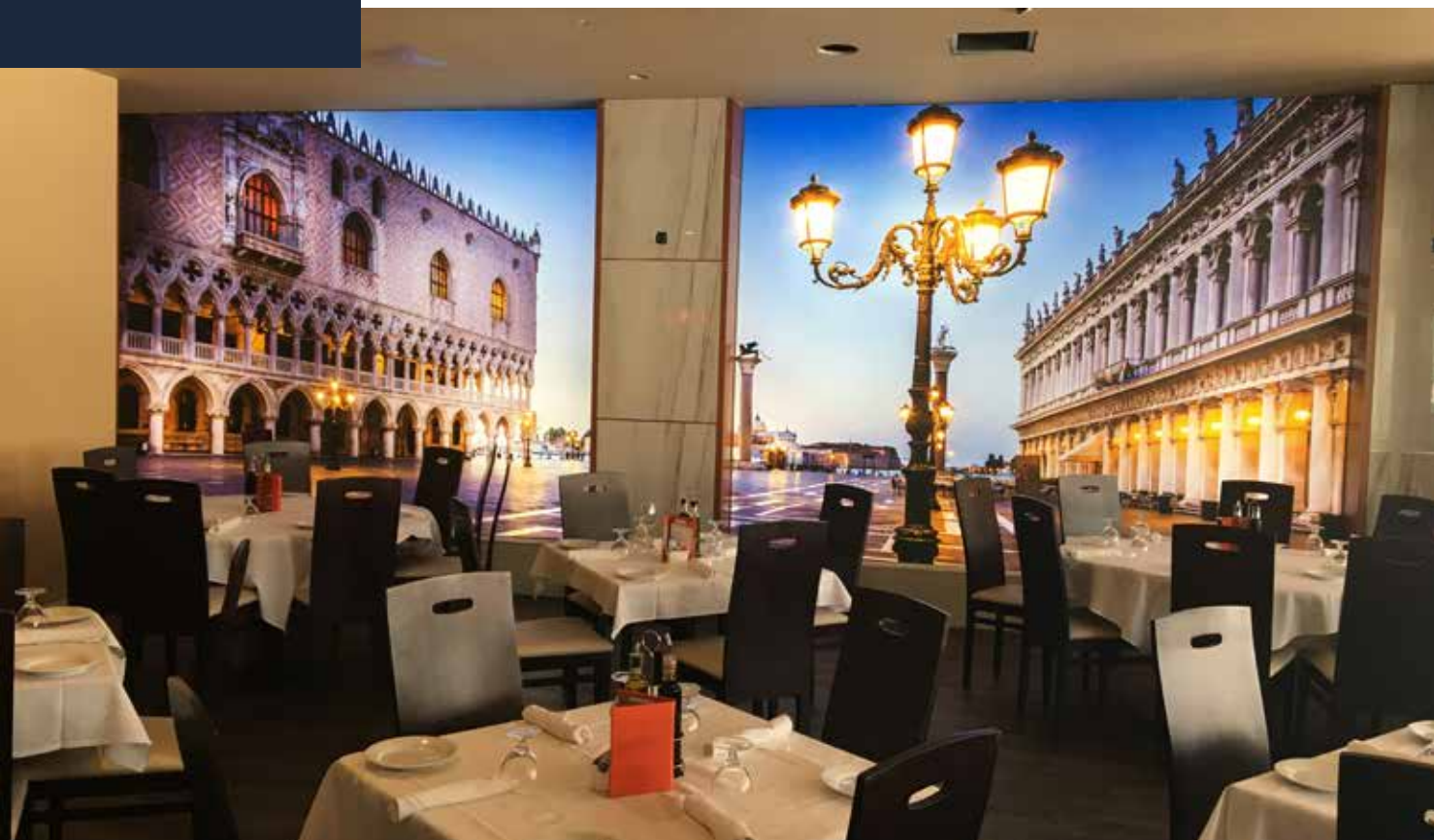




Printed



3D /backlit





Additional possibilities



For more examples of stretched ceilings
visit INFconcept.com



SUSPENDED CEILING T|KARRA

TKarra suspended ceiling is your alternative to an existing ceiling that is possibly stained, damaged or simply sagging. Remarkably beautiful our suspended ceiling is your ideal solution to changing the look of your home or business. The panels are made of composite aluminum which allow you to benefit from their numerous technical and aesthetic advantages.

Technical advantages:

- Simple and fast installation;
- Available in different standard sizes: 2X2, 2X4 and 4X4;
- Does not stain after water damage;
- Durable and versatile;
- 5-year warranty;
- Non-combustible product available with 0 FSI / 0 SDI;
- Ultra-thin, 3mm (1/8 ") and rigid panel;
- Intertek certification;
- LED inserts in the tiles are available.

Aesthetic advantages:

- Possibility of accessory insertion in the tiles: light fixtures, recessed lights, sprinklers... ;
- Possibility of printing on tiles;
- Custom designs and patterns;
- Custom Colors available;
- Reversible tile;
- Create an effect of height for an unmatched atmosphere;
- More than 20 color choices;
- Different finish options: Lacquered, Mat, Metallic, Printed, Faux finish (wood, etc.).



T|KARRA LED

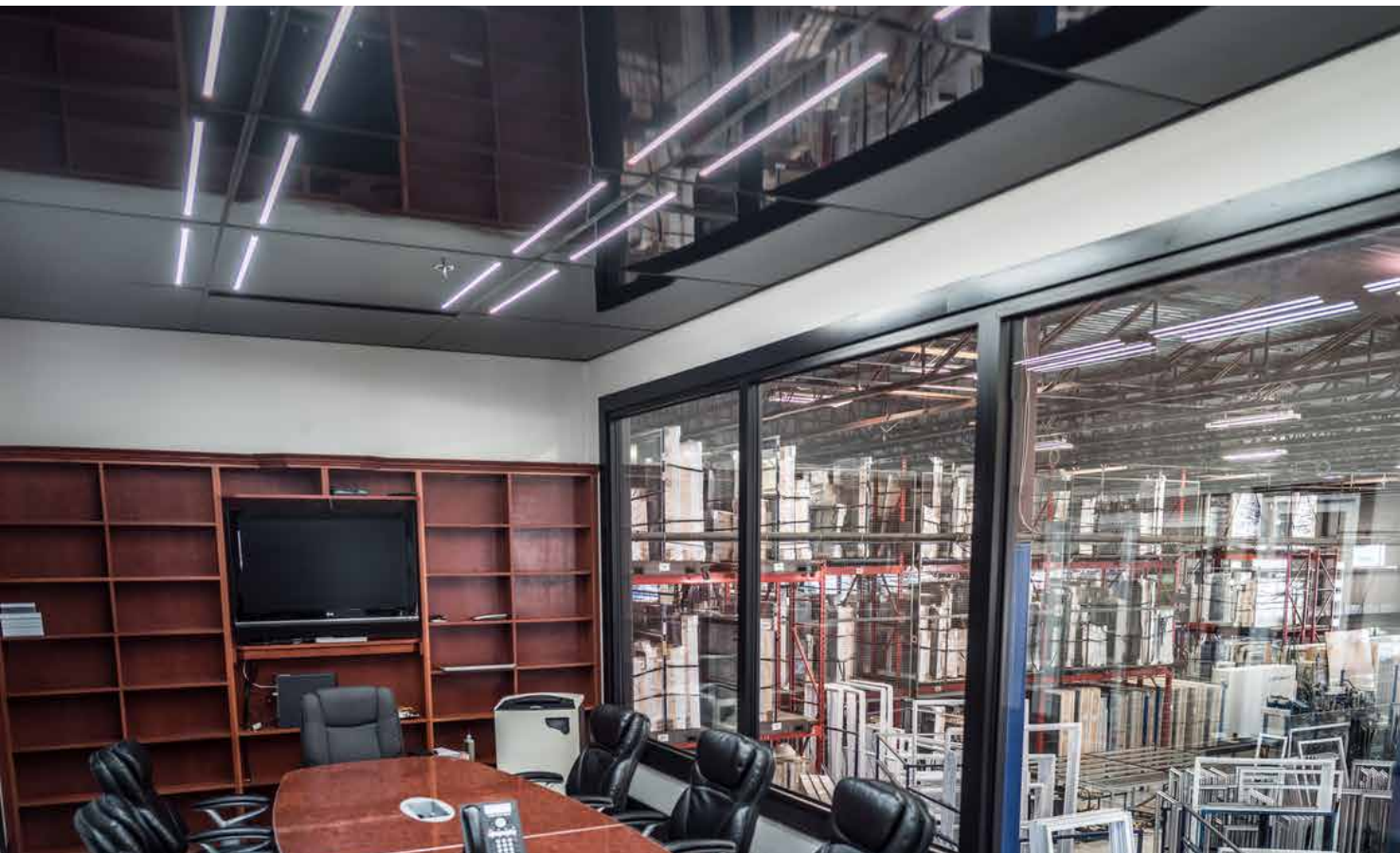
A solution with integrated lighting

Thanks to our specialized equipment, the T|Karra product is also available with LED integration. A quick and easy installation available in 12v or 24v that offers a modern and efficient look with a 20mm (3/4") wide and 960mm (38") long LED extrusion.

Different Kelvin degrees are available such as:

3000k (Warm White), 4000k (Cool White) or others...

*It is also possible to use RGBW LED modules to get different colors with controller.



A CUSTOM-MADE PRODUCT

Engravings, patterns and custom prints

The composition of the T|Karra tile makes it possible to create various custom designs. Whether it's corporate logos, layers or prints, there are no limits to the product. For all your requests, contact us.





TECHNICAL SPECIFICATION: T|KARRA ACOUSTIC

Following our studies carried out in a reverberation chamber, the T|Karra perforated tile obtains an average acoustic performance of 0.75 NRC. These results are ideal for creating a pleasant sound environment. Below you will find the T|Karra acoustic product data sheet, methodology and more information to achieve your desired results.

1. Results of sound absorption tests:

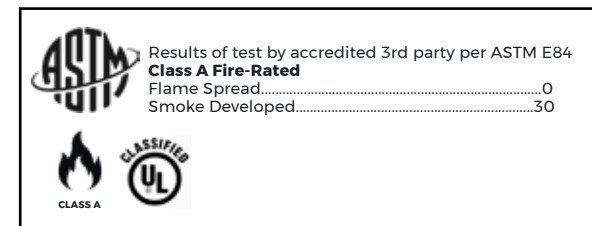
The current report contains the results obtained following a research and development procedure for the Microperforated T|Karra product. The mandate was to perform sound absorption tests on a ceiling prototype using the ASTM C423 methodology norms. These tests are a next step to an optimization by simulation project previously done for the same client. The tests were performed February 28, 2020 in a reverberation chamber. As stated in the results summary, the methodology of scenario 1 or 2 below shows very concluding results.

2. Results summary

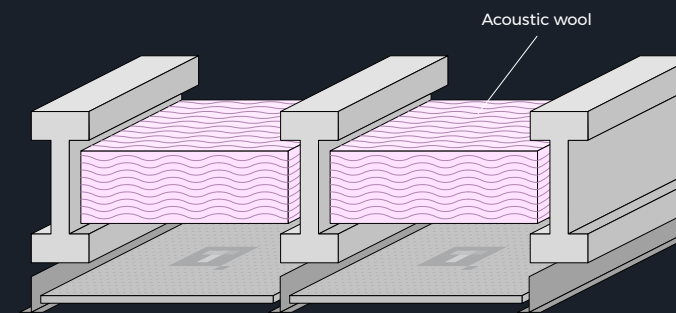
Sound absorption coefficient of the suspended ceiling sample, tested according to the ASTM C423 norms with an E400 mounting.

Central frequency range of the band of 1/3 of an octave (Hz)	Absorption coefficient
200	0,67
250	0,74
315	0,79
400	0,70
500	0,64
630	0,91
800	0,82
1000	0,86
1250	0,79
1600	0,76
2000	0,69
2500	0,58
3150	0,56
4000	0,60
NRC	0,75
SAA	0,74

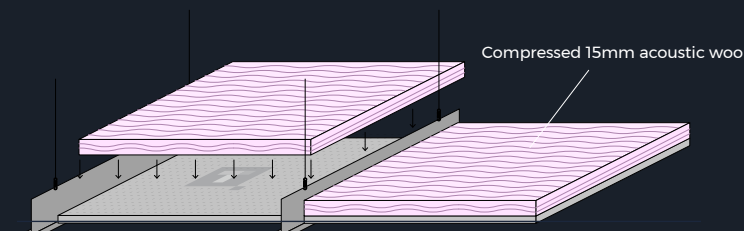
Product composition:



Available with 0/0 properties



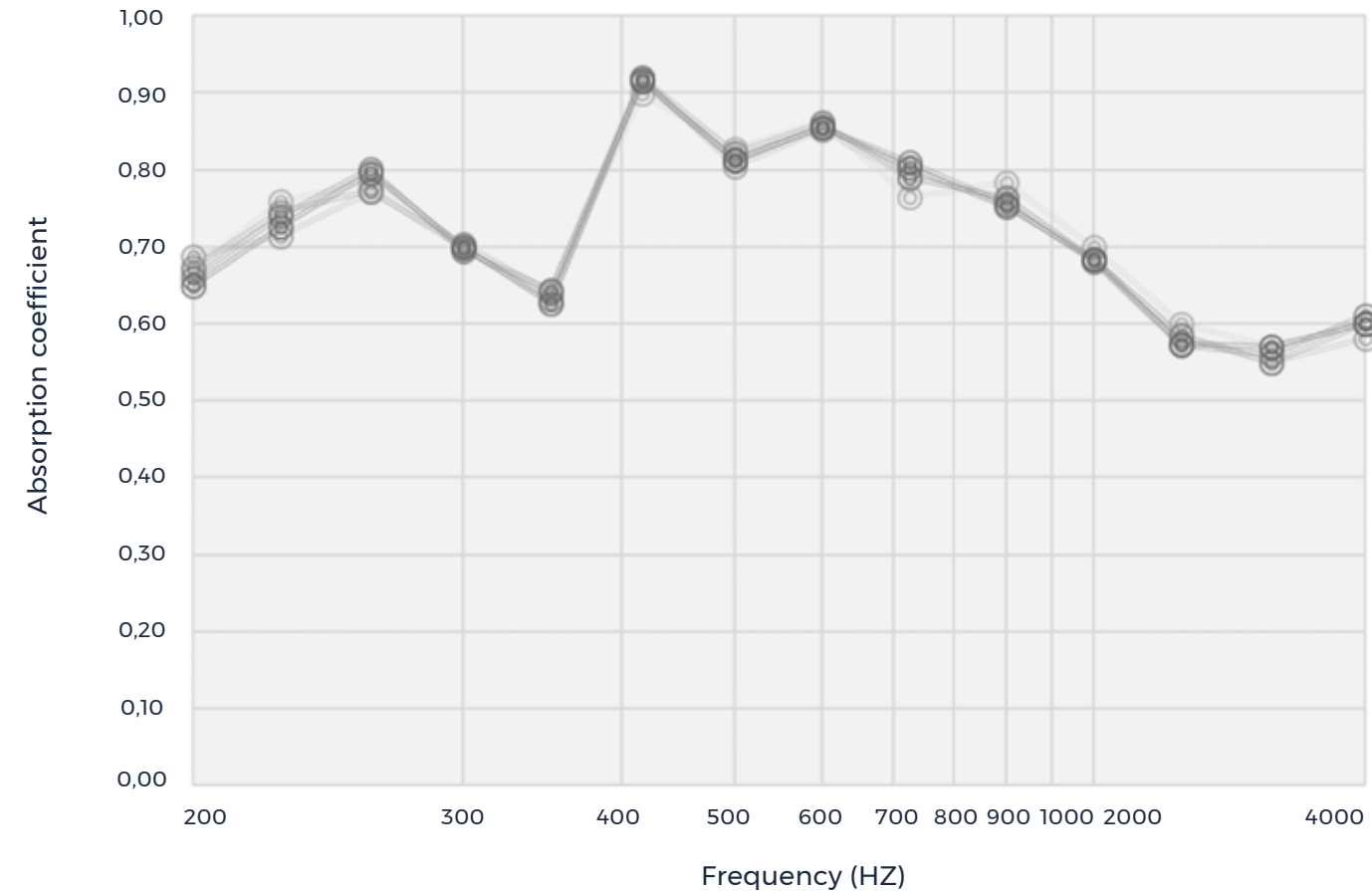
Scenario 1: Installation of T|Karra tiles with a minimum spacing of 6" between the joists and suspended ceiling.



Scénario 2: Installation with compressed acoustic wool above the T|Karra tile.

Central frequency range of the band of 1/3 of an octave (Hz)	T1	T2	T3	T4	T5
200	0,67	0,69	0,67	0,66	0,65
250	0,76	0,71	0,75	0,74	0,73
315	0,78	0,77	0,77	0,80	0,80
400	0,70	0,70	0,70	0,69	0,70
500	0,64	0,64	0,63	0,64	0,63
630	0,90	0,92	0,92	0,92	0,92
800	0,83	0,80	0,82	0,81	0,81
1000	0,86	0,85	0,86	0,85	0,86
1250	0,76	0,79	0,79	0,81	0,80
1600	0,78	0,76	0,76	0,76	0,75
2000	0,70	0,68	0,68	0,68	0,68
2500	0,60	0,59	0,58	0,57	0,57
3150	0,57	0,55	0,55	0,56	0,57
4000	0,60	0,58	0,60	0,61	0,60

Overlapping of the sound absorption curves measured for each of the 5 tests



USE AND INSTALLATION OF T|KARRA TILES

THINGS TO CONSIDER:

Safety equipment: The use of basic safety equipment such as glasses, gloves, and ear plugs is strongly recommended.

Storage: The T|Karra products must be stored horizontally on an even surface at all times.

Handling: The T|Karra products have a protection membrane which allows for safe handling. When handling T|Karra product units up high, it is recommended that you use a suction cup. It is suggested that you wear gloves to prevent dirtying or damaging the tile.

INSTALLATION:

Suspension structure/suspended ceiling: For installation procedures, refer to the installation guides of the various market suppliers.

Cutting and preparation of T|Karra products for installation: The T|Karra products can be cut or drilled using various electric tools. Before every cut, the work space must be clean and tidy. Despite the protective film, particles from previous cuts could damage the tile surface.



USE AND INSTALLATION



Utility knife and carpenter's square

T|Karra products can be cut using an Olfa-type utility knife or any other brand on the market (the use of black blades is recommended).

Cutting procedure: It is important to always work on the side contrary to the one that will be visible on the ceiling. For example, considering that the visible side in the room has a lacquered surface as well as the cutting process with a utility knife creates a protrusion on the border of the tile (small overflow of aluminum) due to the pressure effect of the blade you should always work on the matte side. Afterward, all you need to do is mark the measurement on the product and cut using the various squares available.



Workspace

T|Karra products can be handled on a flat and clean surface. A folding-type work table is generally efficient. Refrain from working the product directly on the ground to prevent injuries and damage to said product.



Table saw, circular saw

Cutting procedures: The use of various electric tools has certain advantages and disadvantages. Cutting projects particles all around a certain perimeter around the cutting area. The advantage of using these different tools is the speed at which the work can be executed and for mass production.



Reciprocating saw (jigsaw)

The reciprocating saw is the ideal tool for all perforations greater than 6 inches in diameter. The use of a fine toothed finishing blade is suggested.



Die-cutting

The use of a die is strongly recommended when drilling round holes under 6 inches in diameter. The quality of the cut with such a tool will provide optimum results, otherwise, a very sharp protrusion will be apparent along the perimeter of the hole, creating a significant laceration risk.



T-BAR SUSPENSION SYSTEM

The standard 15/16 in. standard T-Bar installation is required for the installation of T|Karra tiles. *Depending on the supplier, various colours are available such as, black, gray, white etc.

Colors mat/laquered finish:



M/L Perle



M/L Onyx



M/L Emerald



M/L Granite



M/L Shapir



M/L Rubis

Metalic colours and faux finishes:



L-Taupe



Brushed metal



Wood-1



Wood-2



Wood-3



103

Available formats: T48 / 24 in. x 24 in., T72 / 24 in. x 48 in., T96 / 48 in. x 48 in

*Tiles colours are available in mat or lacquered finish

*Colours can vary according to the batches available

*Custom colours available

*Reversible tiles

QUESTIONS AND QUOTE REQUESTS

Should you have any questions or would like a quote, do not hesitate to contact us. The INF Concept team will gladly help you in your future projects.

Sales and marketing:
info@INFconcept.com
(438) 393-6853

INFconcept.com

For more examples of suspended ceilings visit **INFconcept.com**



COMMERCIAL AND RESIDENTIAL • FREE QUOTES

Sales and Marketing:
info@INFconcept.com
438-393-6853

For more information:
INFconcept.com